
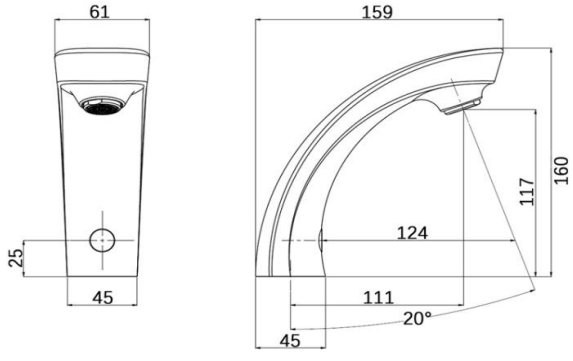


## TECHNICAL DATA SHEET

	Photo	Dimension
<b>Product</b>		

### DESCRIPTION

**Item No:** HMSTB (Battery Powered) | HMSTM (Main Operated)

**Designation:** Infrared Sensor Tap

**Feature:**

- Infrared activated tap
- One piece stainless steel construction
- Battery or main powered options
- Equipped with Neoperl aerator
- Ensure maximum hygiene and water efficiency

### TECHNICAL DATA

Sensor Range: 50mm to 200mm

Default Sensor Range: 125mm

Run Time: Max.=60s. Activation=0.5s. Deactivation=0.2s

Flow rate: 4LPM to 15LPM (selective for local use)

Main Power supply: OUTPUT: 6V,0.5A | INPUT: 100~240V~50/60Hz, 0.15A

(Plugs can be adjusted according to different countries)

Battery supply: 2x CR123 (3V lithium battery) = 6V

(Battery life:2 years in normal conditions with recommended batteries,about 300,000 cycles)

### SENSOR RANGE ADJUSTMENT

Remove or disconnect the power supply (battery or mains) and leave it for 1 min.Reconnect again and the sensor LED will start flashing red,immediately place hand at 4~6cm away from the sensor until it is solid red LED,then you have entered into configuration mode.Briefly place your hand at the distance you would like to set(do not over 200mm),wait 5 seconds until stops flashing red.The sensor distance is set.

### IMPORTANT NOTE

- Working pressure range: 0.3–10 bar.Recommended working pressure is 5 bar.
- Recommended Operating Temperature:5-60 Degrees celcius
- Please clean with non-abrasive cleaner and water only
- Keep sensor away from direct sunlight to avoid damage
- Please install by a qualified technician in accordance with manufacturer's instructions and local regulations.